

LCC Modelling System

B 70-08 Small goods shed

All drawings are not in scale. Some proportions on drawings may differ from reality.

For additional elements for modification and extension please visit our website at www.lcut.co.uk or email us at contact@lcut.co.uk

Width: 164mm, Depth: 124.5mm (Without loading platforms), Height: 157mm

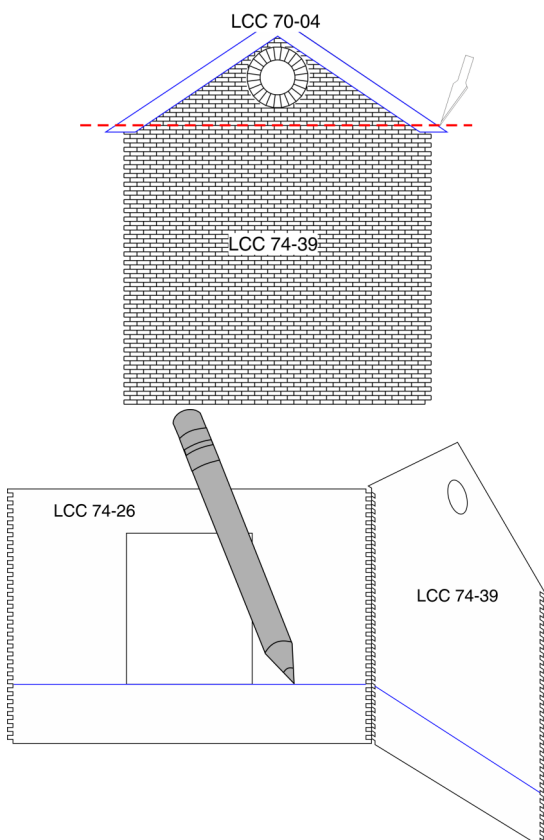
Bundle contains:

- 2x LCC 70-04
- 1x LCC 70-09
- 2x LCC 70-13D
- 2x LCC 70-48
- 2x LCC 74-26
- 2x LCC 74-39
- 2x LCC 74-43
- 2x LCC 74-44
- 2x LCC 74-45
- 2x LCC 74-46
- 2x LCC 74-47
- 1x LCC 74-48

! We recommend PVA or any other paper/wood glue for the main fibre board parts and resin based glue for 3D printed parts if present.

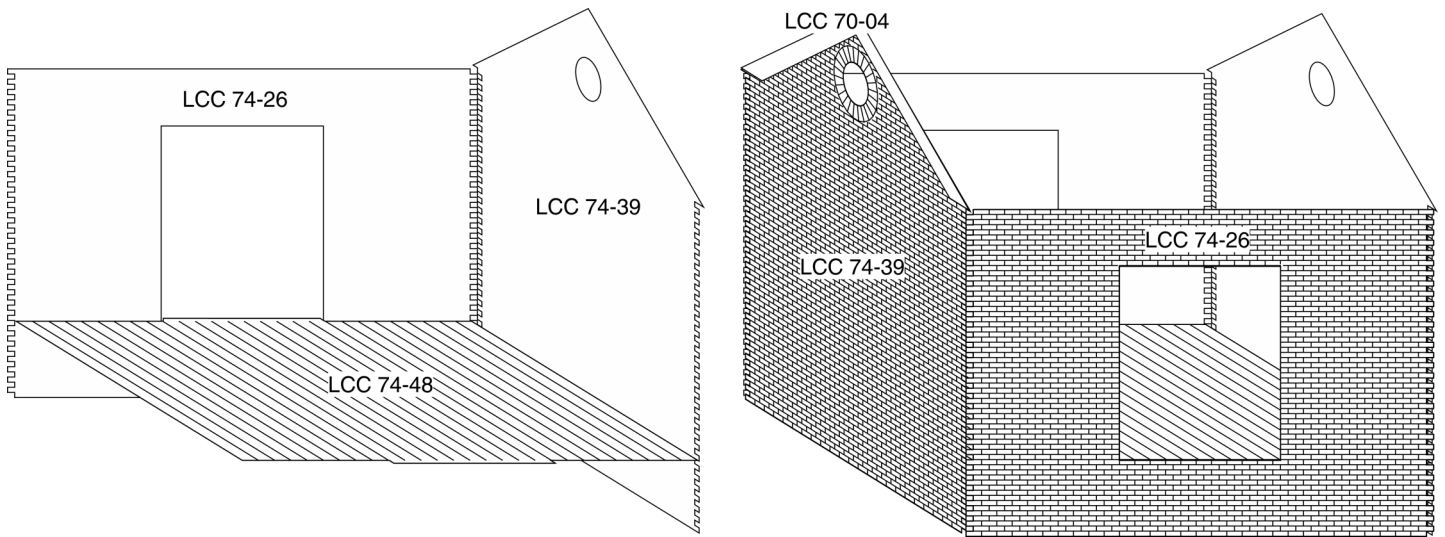
Painting recommendation:

We recommend using acrylic or enamel paints. There is no need to undercoat the surface but it can be done if desired. The material used is porous and relatively forgiving, heavy coats are unlikely to flood the brickwork. If you experience any warping in the material leave it to fully dry and then gently bend it back into shape. Always test any paints in an area that will not be seen or on spare parts/off cuts.

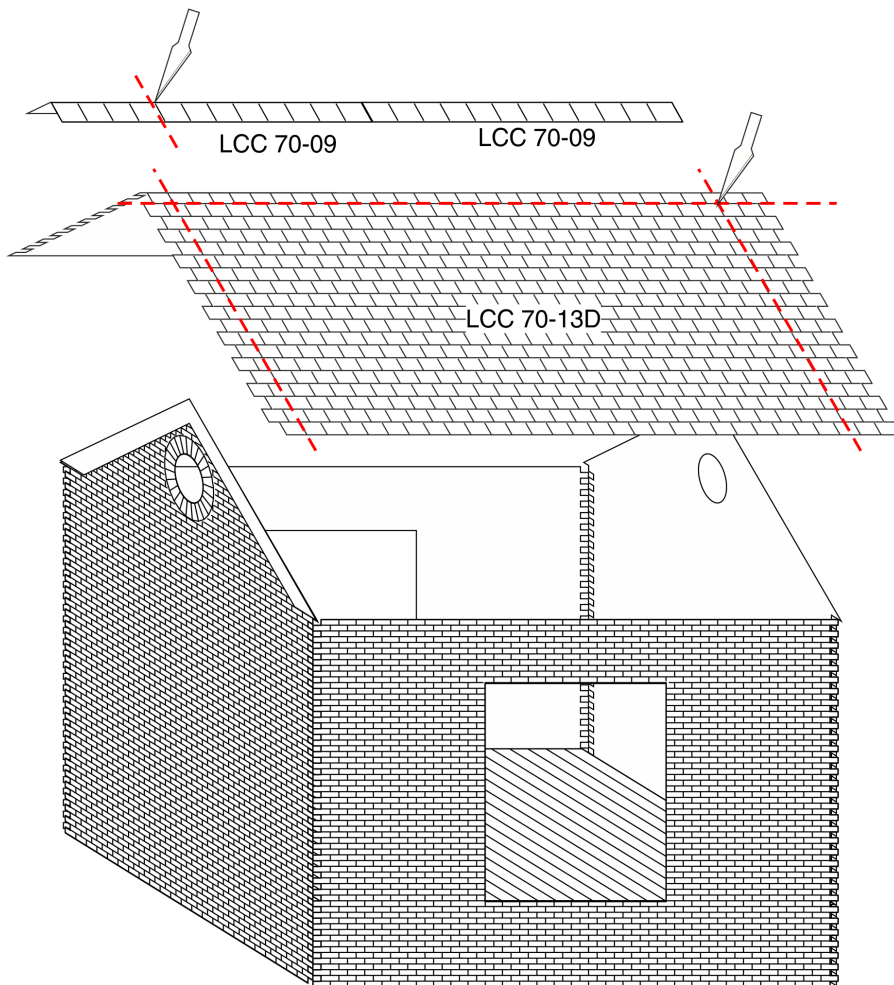


First step in the assembly is to trim the LCC 70-04 gables and glue them to LCC 74-39. Trim LCC 70-04 to the same level as the protruding notch on LCC 74-39. This step can be omitted if it is desirable to leave the roof with longer overhang.

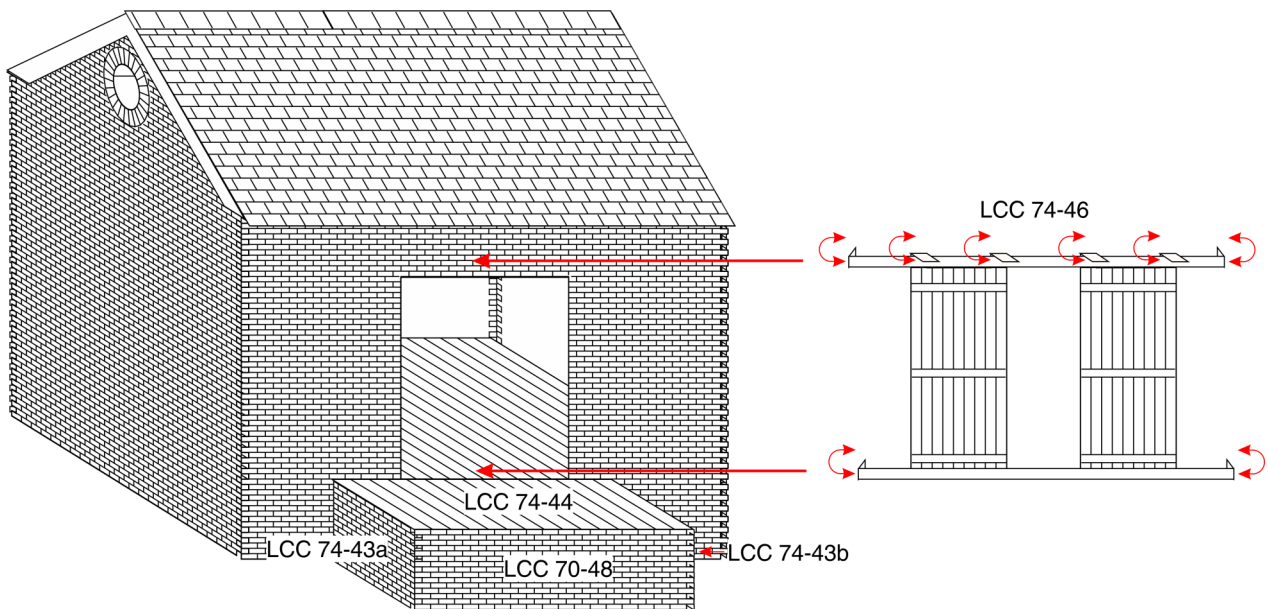
To make gluing the floor in easier mark the floor level on all main building parts. Use the bottom the opening in LCC 74-26 as the reference point. Make sure that the part is right side up! The name plate of each parts marks the top of the part. In case when the tag has been cut away already use the lighter mark on the side of the part as reference.



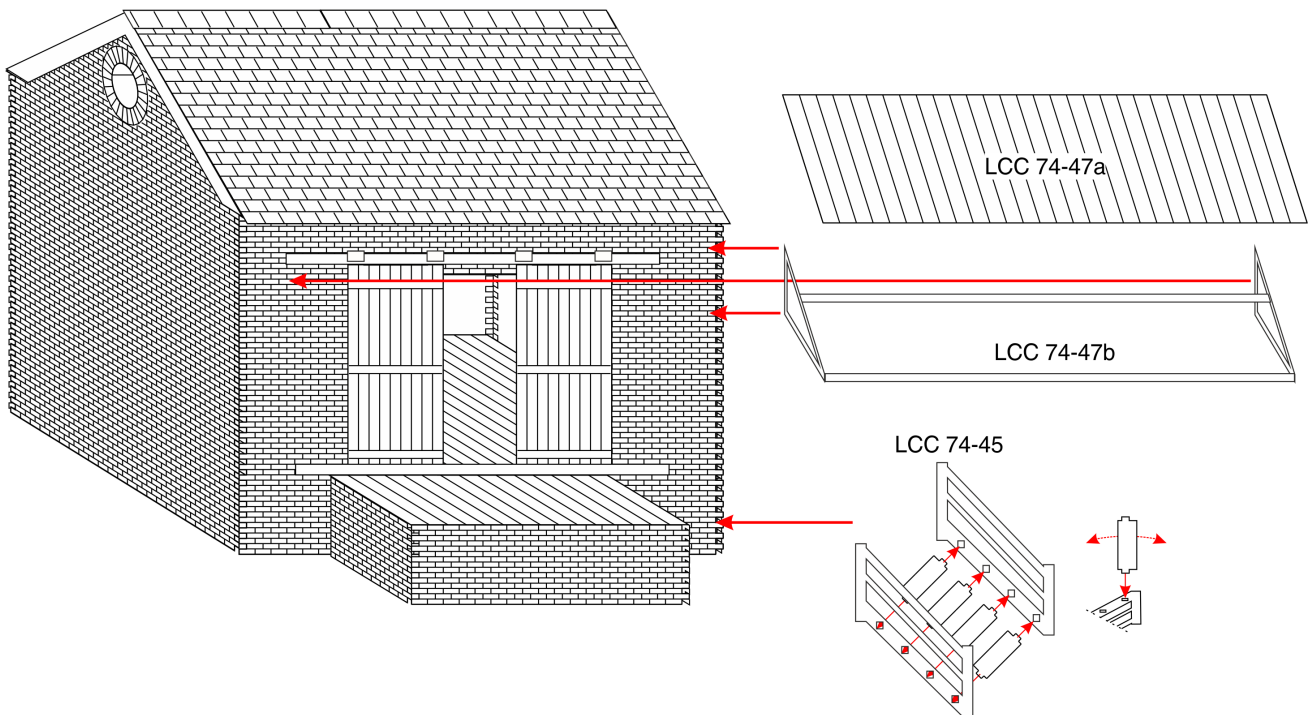
Next step in the assembly is gluing one of the corners and the floor. Push LCC 74-26 and LCC 74-39 together at a right angle. Ensure there is no gap between the parts. Be careful with not to damage the protruding notch on LCC 74-39. Glue the floor (LCC 74-48) in using the line marked on the parts as the reference. Finish the main building assembly with the two remaining walls.



Roof assembly starts with trimming of LCC 70-13D roof panels. Trim the roof panels lengthwise to the width of the goods shed and height wise to the length of the gable. Glue both roof panels on and leave to dry. Finish the roof with LCC 70-09 ridge tiles. Bend the ridge tiles along the middle line and glue to the ridge of the roof. One of the ridge tiles will require trimming to length.



To assemble the loading platform glue LCC 74-43 to LCC 70-48 as illustrated on the diagram above. Top off with LCC 74-44. To assemble the sliding gate bend the tabs on the gates inwards. Glue the rails in between the gate and the tabs. Bend the tabs on the rails outwards and glue to the back. Gates can be glued to the goods shed in either open or closed position. Repeat on the other side.



Assemble the staircase by gently rocking the steps into the cut outs. Use a little bit of PVA glue to lubricate the tabs as they are being pushed in. Do not apply excessive force. The steps should be positioned with the wider end facing the back of the staircase. They can be assembled other way around if desired. Glue the staircase to the side of the loading platform in desired location.

To assemble the canopy glue support bracket from LCC 74-47b to LCC 74-47a with the longest side of the support bracket. It is recommended to glue the support brackets flush with the short side of LCC 74-47a but it is not necessary. If the bracket is glued in different location ensure that it will clear the gate. Glue one of the long strips between the tips of the brackets. Glue the second strip in the middle of the back of LCC 74-47a. Both strips can be omitted if desired. Finally glue the canopy above the gate. Repeat on the other side.